

IS-CP4A/B-BG Break Glass Call Point

The IS-CP4A-BG and IS-CP4B-BG break glass manual call points are approved for Zones 0, 1, 2, 21 & 22 requiring intrinsically safe equipment for the control of fire and gas alarm systems. Available with and without monitoring resistors all versions are certified to ATEX and IECEx standards.

The IS-CP4 range features enclosures manufactured from corrosion proof, marine grade, copper free LM6 (A413) aluminium which is phosphated and powder coated.

Specification:

IS-CP4A-BG:	II 1G Ex ia IIC T6 Ga II 2D Ex t IIIC T60°C Db IP66
IS-CP4B-BG:	II 1G Ex ia IIC T4 Ga II 2D Ex t IIIC T70°C Db IP66
Ambient:	Ta = -40°C to +55°C
Ingress protection:	IP66
Housing material:	Marine grade copper free LM6 Aluminium
Housing finish:	Phosphated & powder coated finish: anti-corrosion.
Colour:	RAL3000 Red (others available on request)
Cable entries:	2 x M20 clearance top and 1 x M20 clearance side. Back box can be rotated to give 2 x bottom and 1 x side entries.
Stopping plugs:	2 x nylon plugs as standard Brass and stainless steel plugs optional
Terminals:	6 x 4.0mm ² cables.

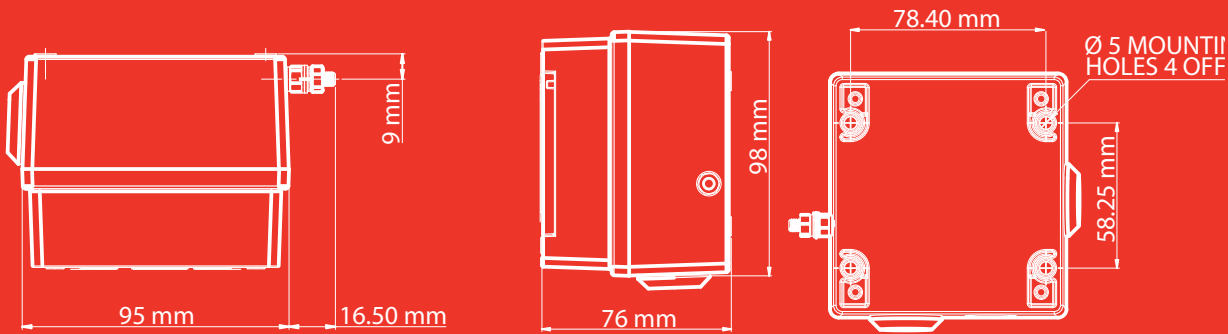
Options:

- Alternative housing colours are available to meet specific requirements.
- DIN rail mounted terminal blocks: 8 x 2.5mm²
- Stainless Steel lift flap
- Metalised Polyester "Duty" label.
- Series and/or End of Line resistors.

Approvals:

- ATEX certificate: SIRA 09ATEX2287X, IEC 60079-0:2007 Ed 5, EN 60079-11:2007, EN 60079-26:2007, EN 61241-1:2004
- IECEx certificate: IECEx SIR 09.0122X, IEC 60079-0:2007-10 Edition: 5, IEC 60079-11:2006 Edition: 5, IEC 60079-26:2006 Edition: 2, IEC 61241-1:2004 Edition: 1





Versions:

Version:	Category:	Input Parameters:	Monitoring Resistors:	Terminals:	Cable entries:	Weight:
IS-CP4A-BG	II 1G Ex ia IIC T6 Ga	$U_i = 30V$	N	6 x 4mm ²	2 x M20 Top/Bottom	0.8Kg
	II 2D Ex t IIIC T60°C Db	$I_i = 500mA$			1 x M20 Left/Right	
	IP66	$P_i = 1.1W$				
	$T_a = -40^\circ C$ to $+55^\circ C$	$C_i = 0$				
		$L_i = 0$				
IS-CP4B-BG	II 1G Ex ia IIC T4 Ga	$U_i = 30V$	Y	6 x 4mm ² or	2 x M20 Top/Bottom	0.8Kg
	II 2D Ex t IIIC T70°C Db	$I_i = 500mA$		8 x 2.5mm ²	1 x M20 Left/Right	
	IP66	$P_i = 1.1W$		DIN rail		
	$T_a = -40^\circ C$ to $+55^\circ C$	$C_i = 0$				
		$L_i = 0$				

Part Codes:

Type:	Terminals:	Lift Flap:	Duty Label:	Colour:	E.O.L Resistor:	Series Resistor:
IS-CP4A-BG	ST	LF	NL	RD	ExxxR	SxxxR
IS-CP4B-BG	DR	NF	DL			

ST: Standard
DR: DIN rail
'DR' option
only on IS-CP4B
version

LF: Lift Flap
NF: No Flap
(Standard)

NL: No label (std)
DL: Duty Label
Specify content
when ordering.

RD: Red (std)
Contact sales
for other
colour options

xxx: Res. value
e.g.: E470R
Only available on
IS-CP4B version

xxx: Res. value
e.g.: S2K2R
Only available on
IS-CP4B version

e.g. IS-CP4A-BG-ST-LF-NL-RD

: IS-CP4A Break glass call point with standard terminals, lift flap and no duty label. Red housing

e.g. IS-CP4B-BG-DR-NF-NL-RD-24V-E470R

: IS-CP4B Break glass call point with DIN rail terminals, no lift flap, no duty label, 24V supply voltage with a 470 Ohm end of line resistor. Red housing.